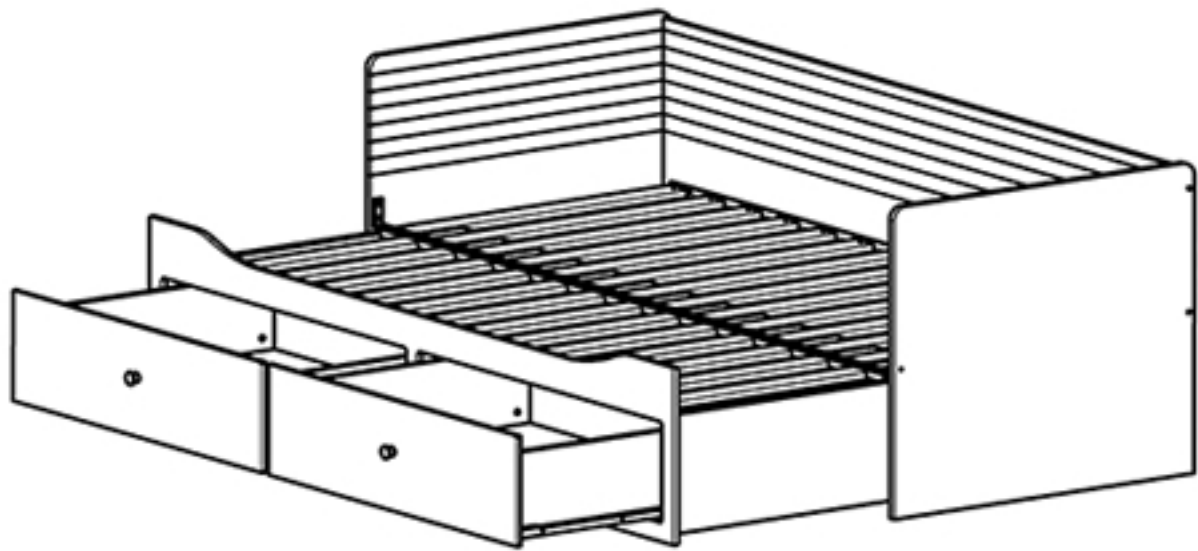


Daniel



D Gebrauchsanweisung

NL Gebruiksrichtlijnen

IT Istruzioni per l'uso

CZ Pokyny k použití

HU Használati útmutató

PT Instruções de utilização

SK Pokyny k použitiu

GB Instructions for use

FR Instructions d'utilisation

PL Instrukcja obsługi

ES Instrucciones de empleo

RO Instrucțiuni de folosire

UA Інструкція по збиранню

TR Kullanım talimatları



2H



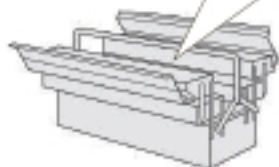
Pack 3.



Pack 1.



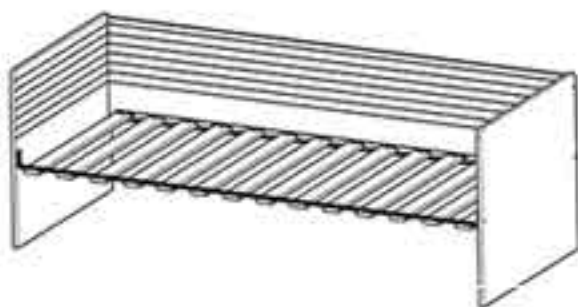
Pack 2.



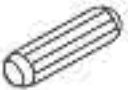










1

Pages 4...8



Pack 1.

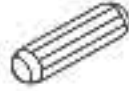







R  Ø8x30mm 6x	P  M 6x40 4x	C  Ø5x16MM 12x	D  M 6x10x14 4x	S  2x
U  2x	V  M 6x15 32x	AG  4x	O  1x	

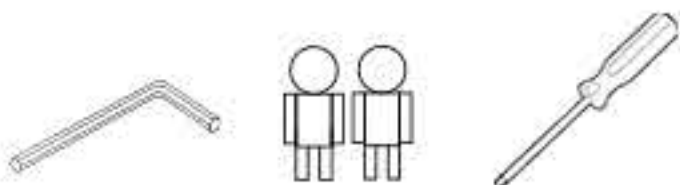
2

Pages 9...14



Pack 2.

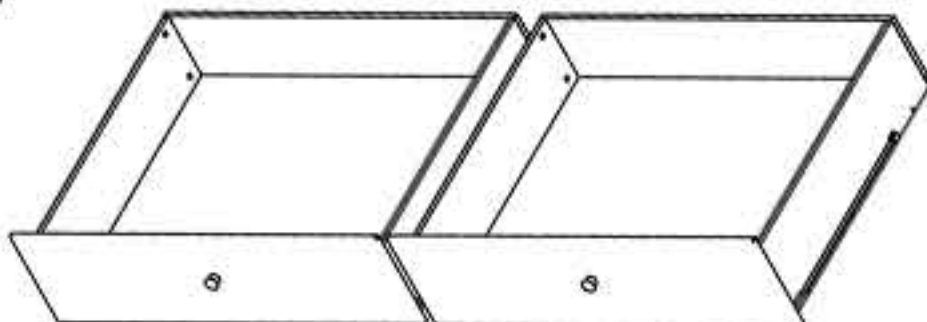
R  Ø8x30mm 16x	W  M 6x40 12x	V  M 6x15 22x	X  M 6x10 6x	Y  M6x8x45mm 10x
C  Ø5x16MM 20x	Z  6x	AF  M 6x15x12 10x		










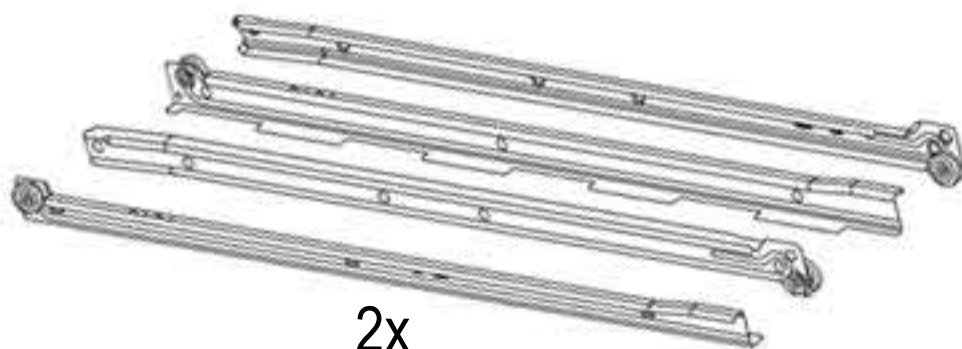
3

Pages 15...19

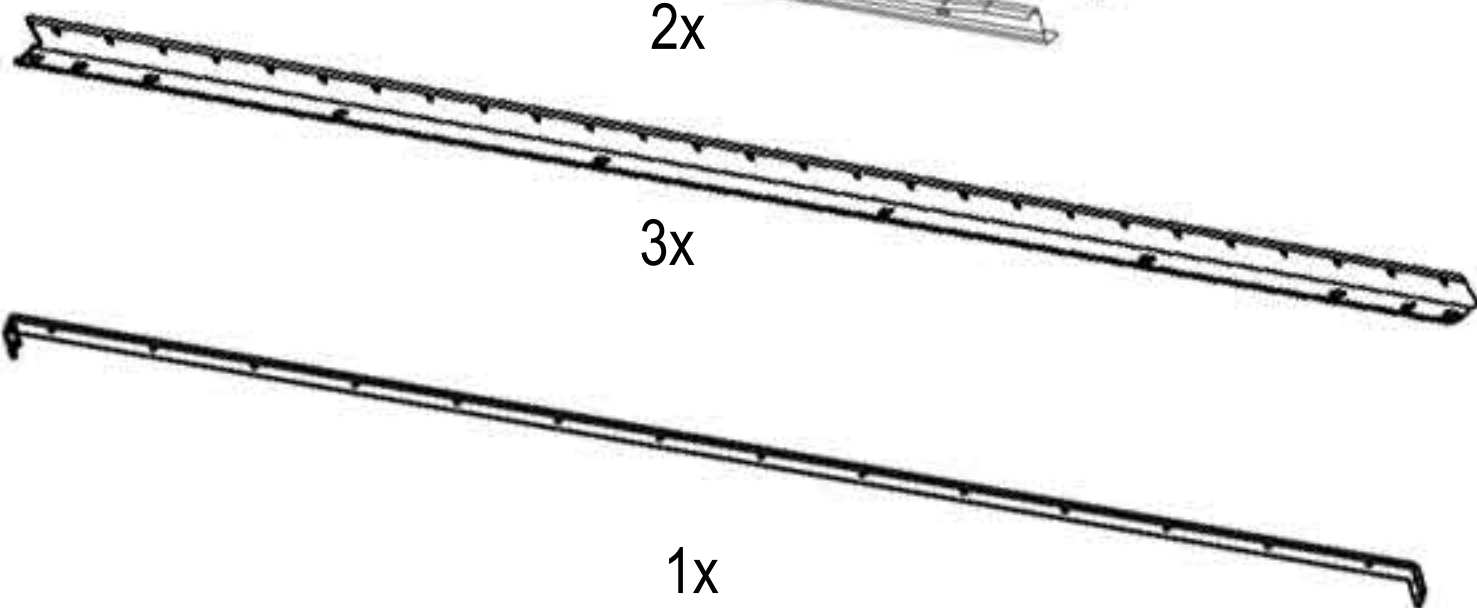


Pack 3.

AA  Φ6x10x10mm 16x	AB  2x	AC  M6x10 12x	AD  M6x10 2x	Y  M6x8x45mm 16x
--	--	---	--	--

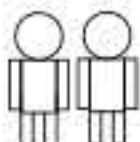


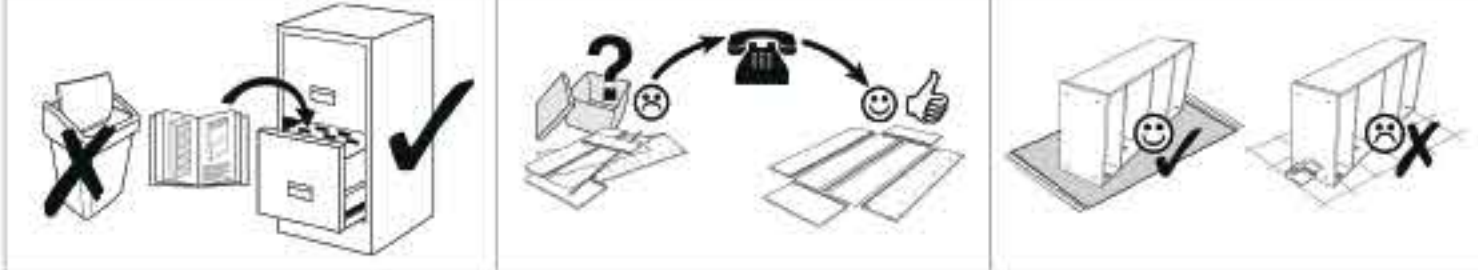
2x



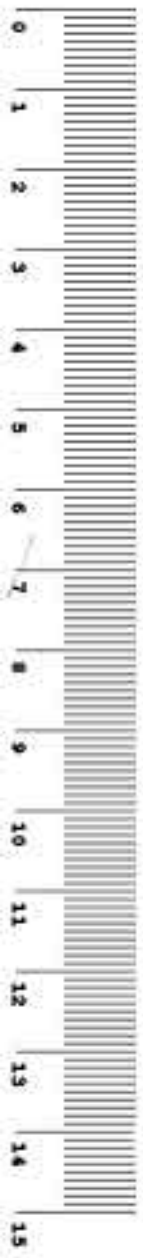
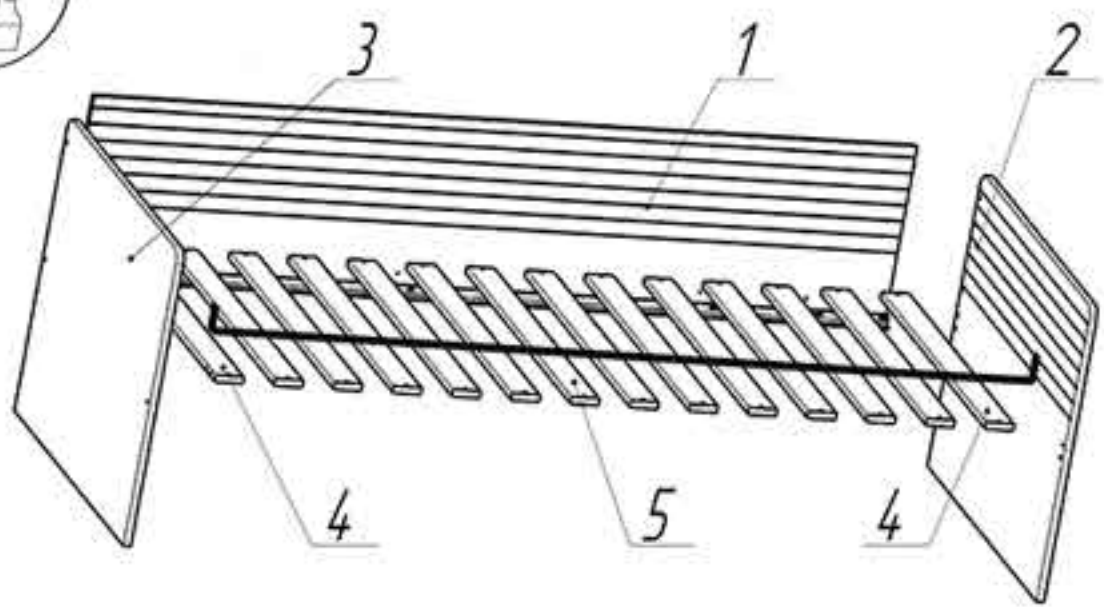
3x

1x





1



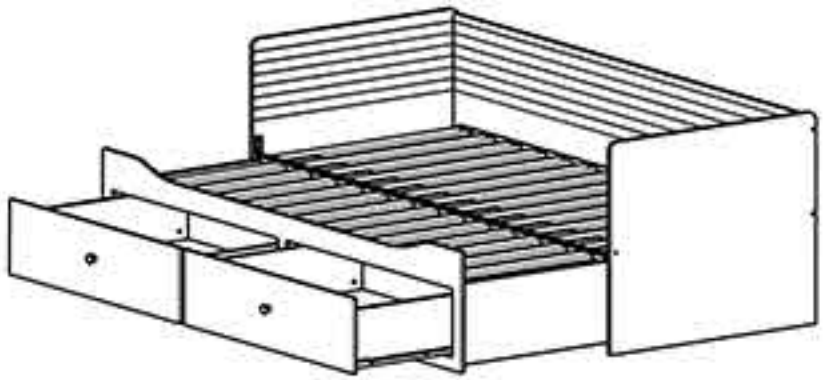
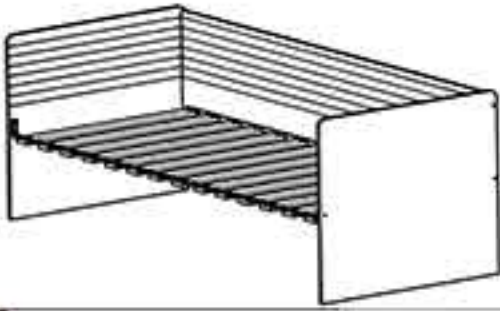
No.	L	B	T	Pcs.
1	2000	414	16	1
2	848	725	16	1
3	848	725	16	1
4	814	69	18	2
5	814	69	18	12

R $\Phi 8 \times 30 \text{mm}$ 6x	P M 6x40 4x	C $\Phi 5 \times 16 \text{mm}$ 12x	D M 6x10x14 4x	S 2x
U 2x	V M 6x15 32x	AG 4x		



Pack 1.





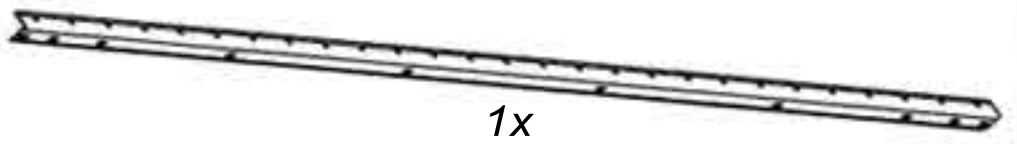
1

V



M 6x15

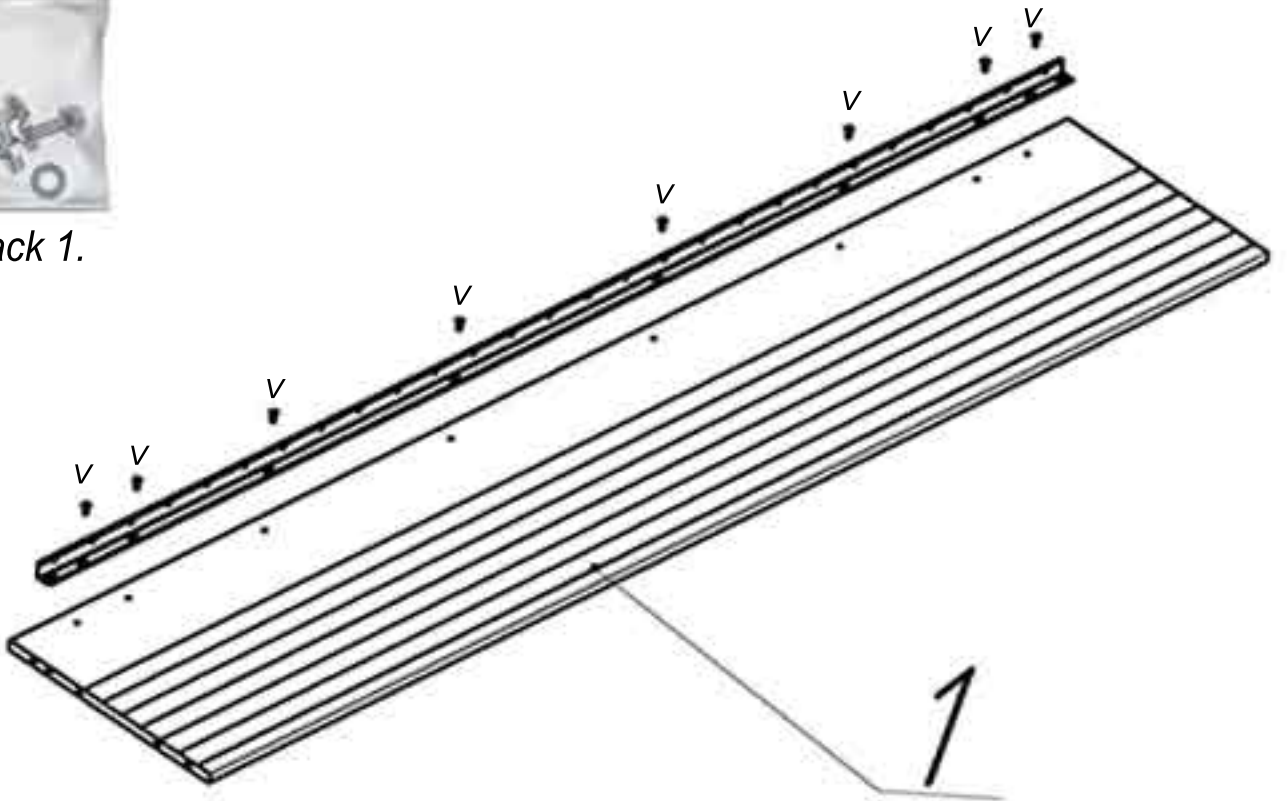
8x



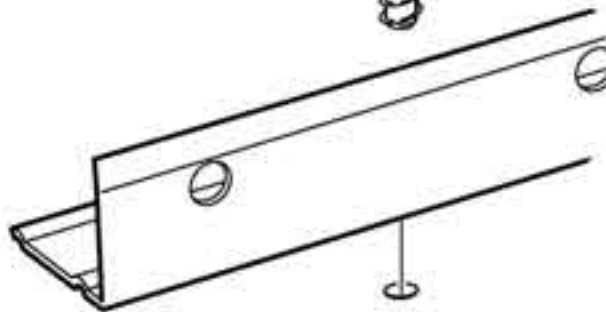
1x



Pack 1.

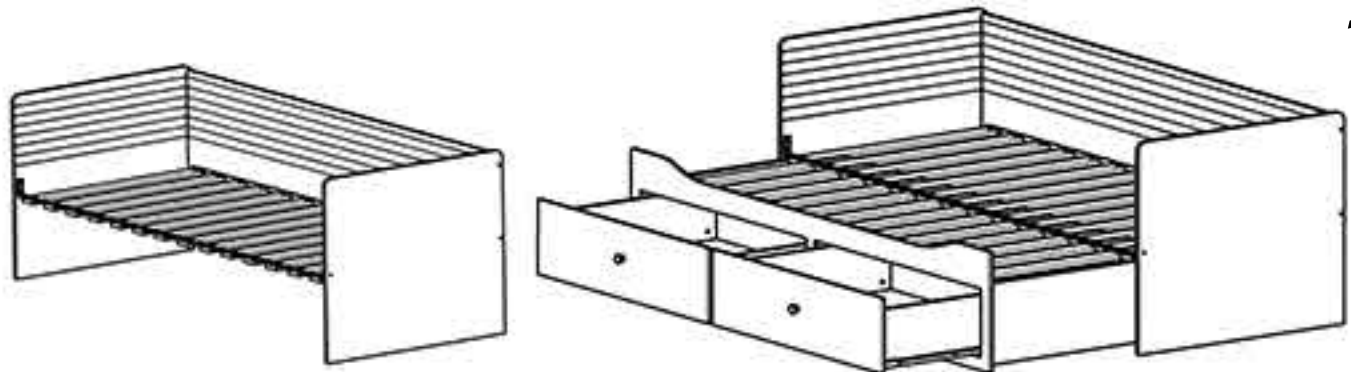


1



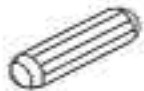







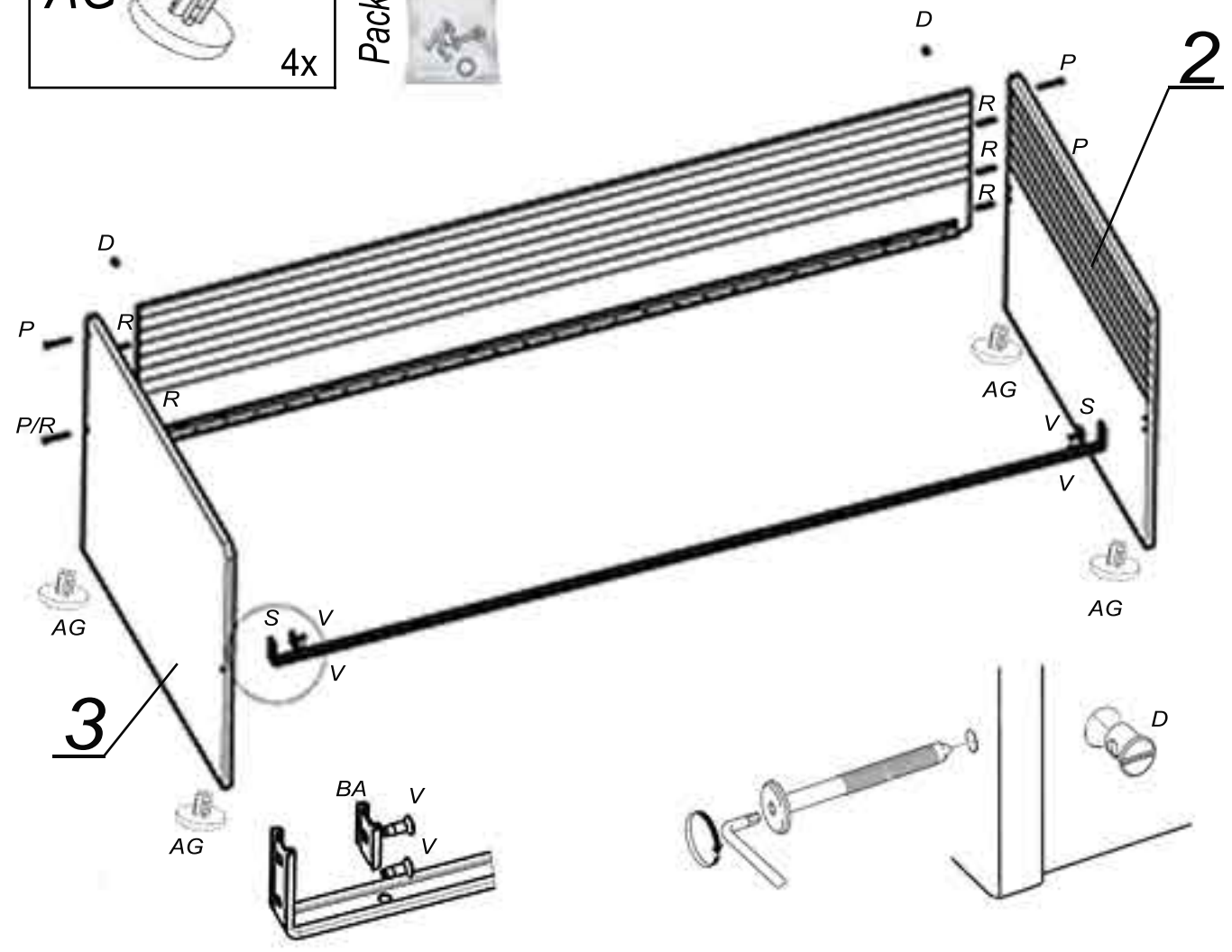


1

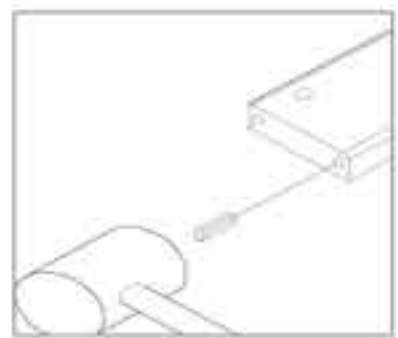
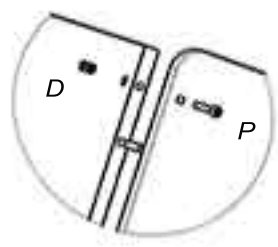


2

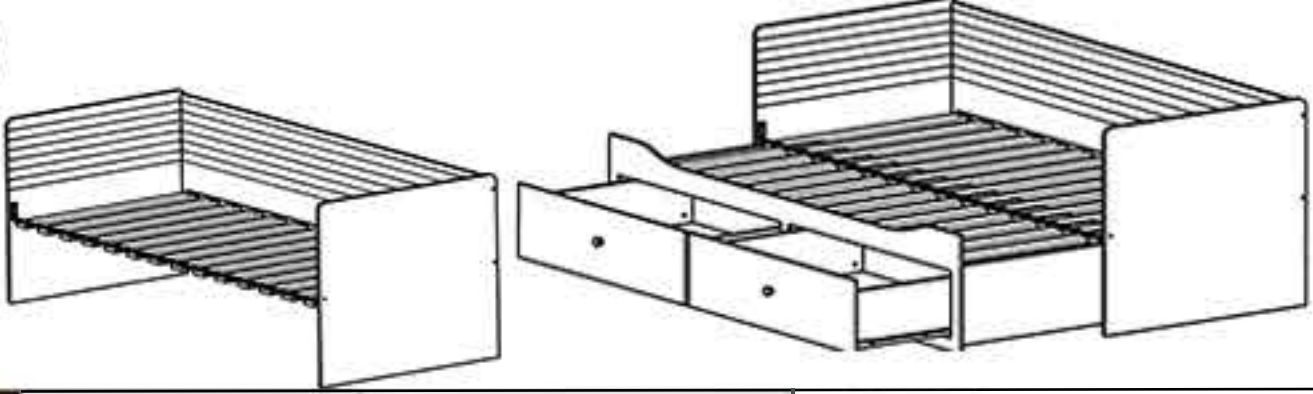
<p>V</p>  <p>M 6x15 4x</p>	 <p>1x</p>		
<p>R</p>  <p>∅ 30x8mm 6x</p>	<p>D</p>  <p>M6x10x14mm 4x</p>	<p>P</p>  <p>M 6x40mm 4x</p>	<p>S</p>  <p>2x</p>
<p>AG</p>  <p>4x</p>	<p>Pack 1.</p> 		



2



6



3

V



M 6x15

8x

U

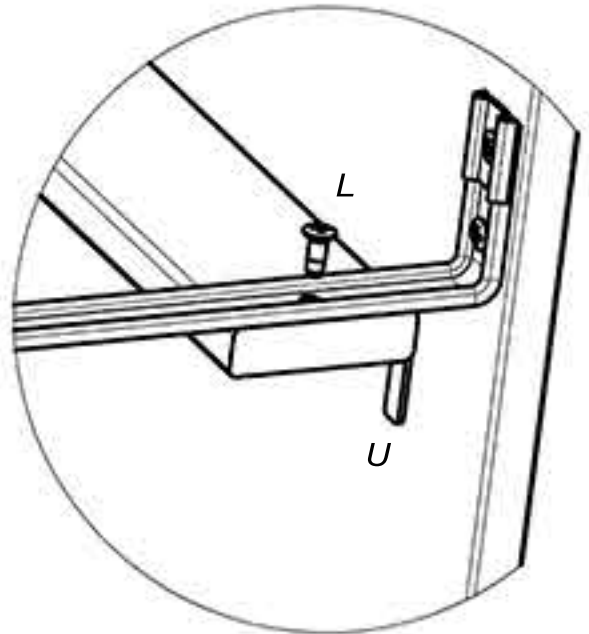
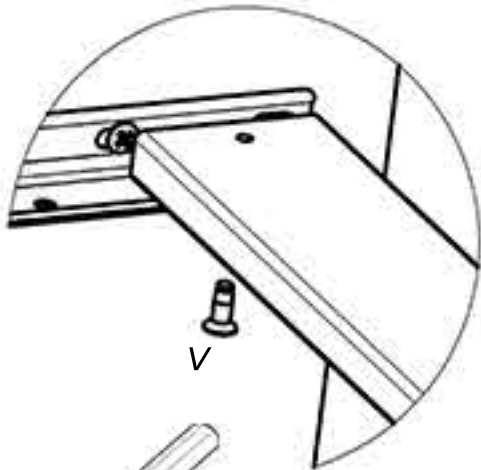
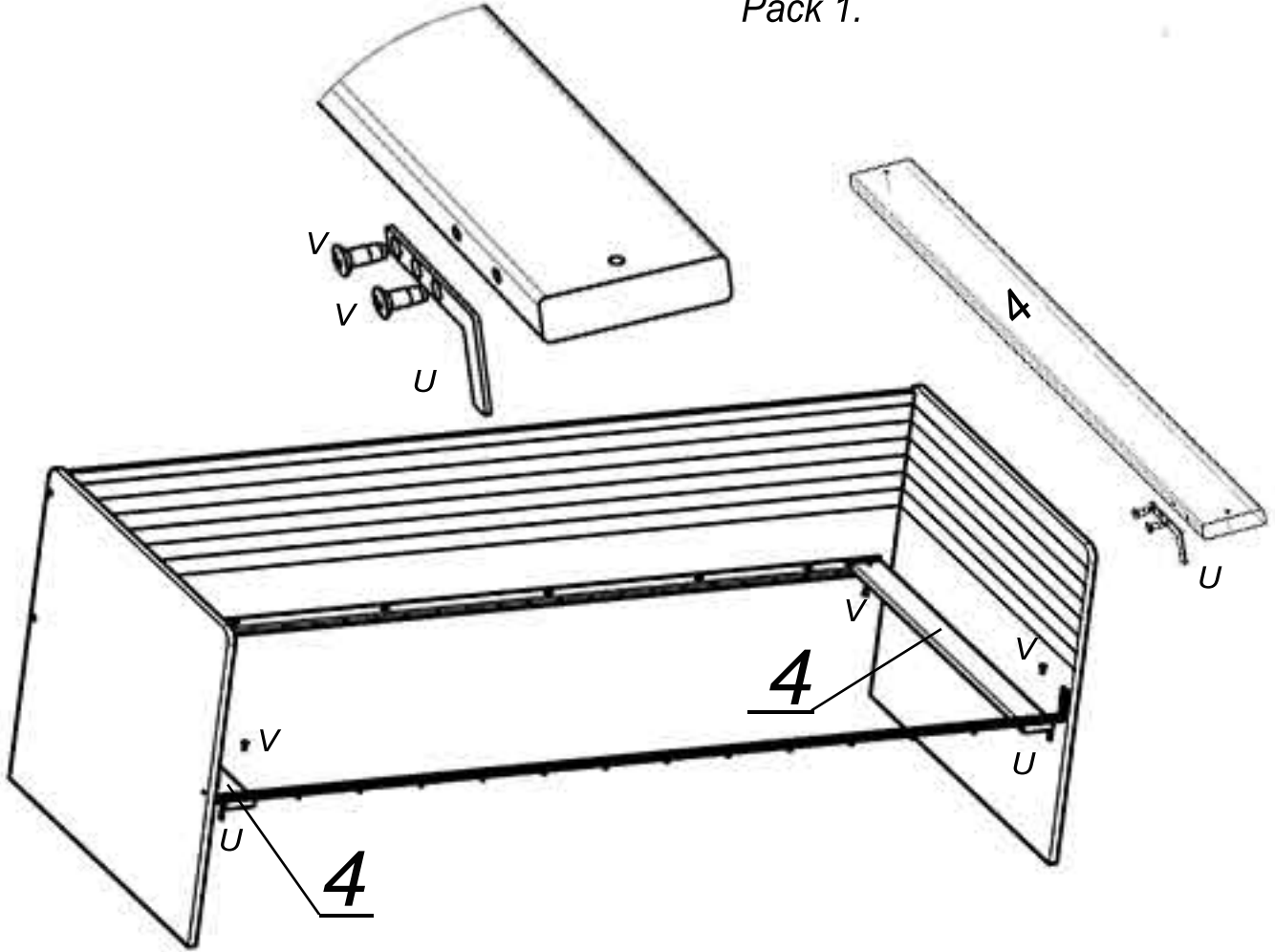


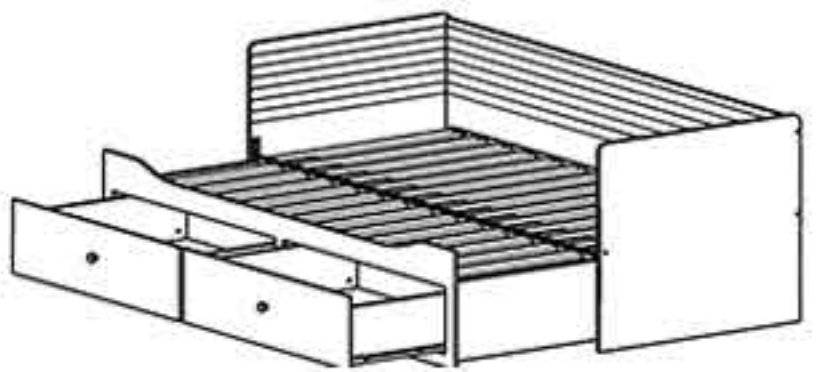
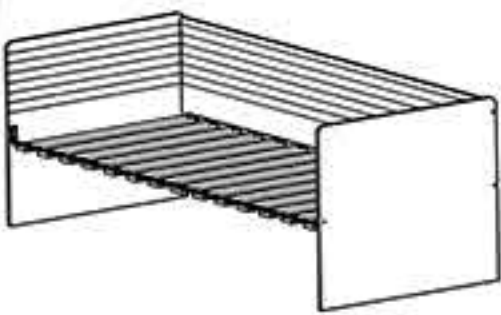
70x45mm

2x



Pack 1.





4

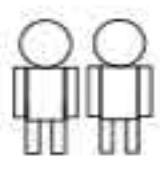
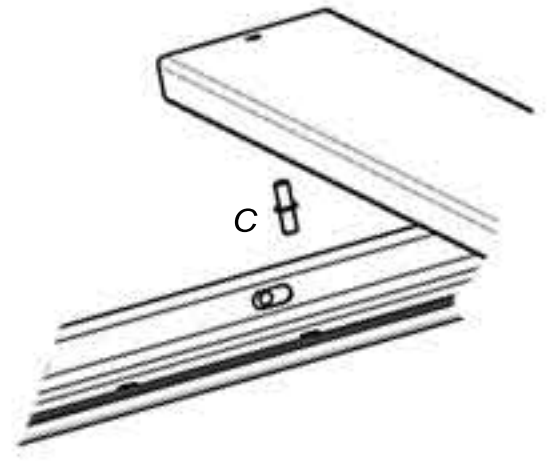
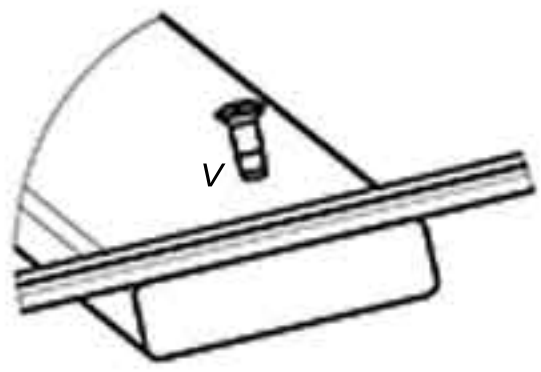
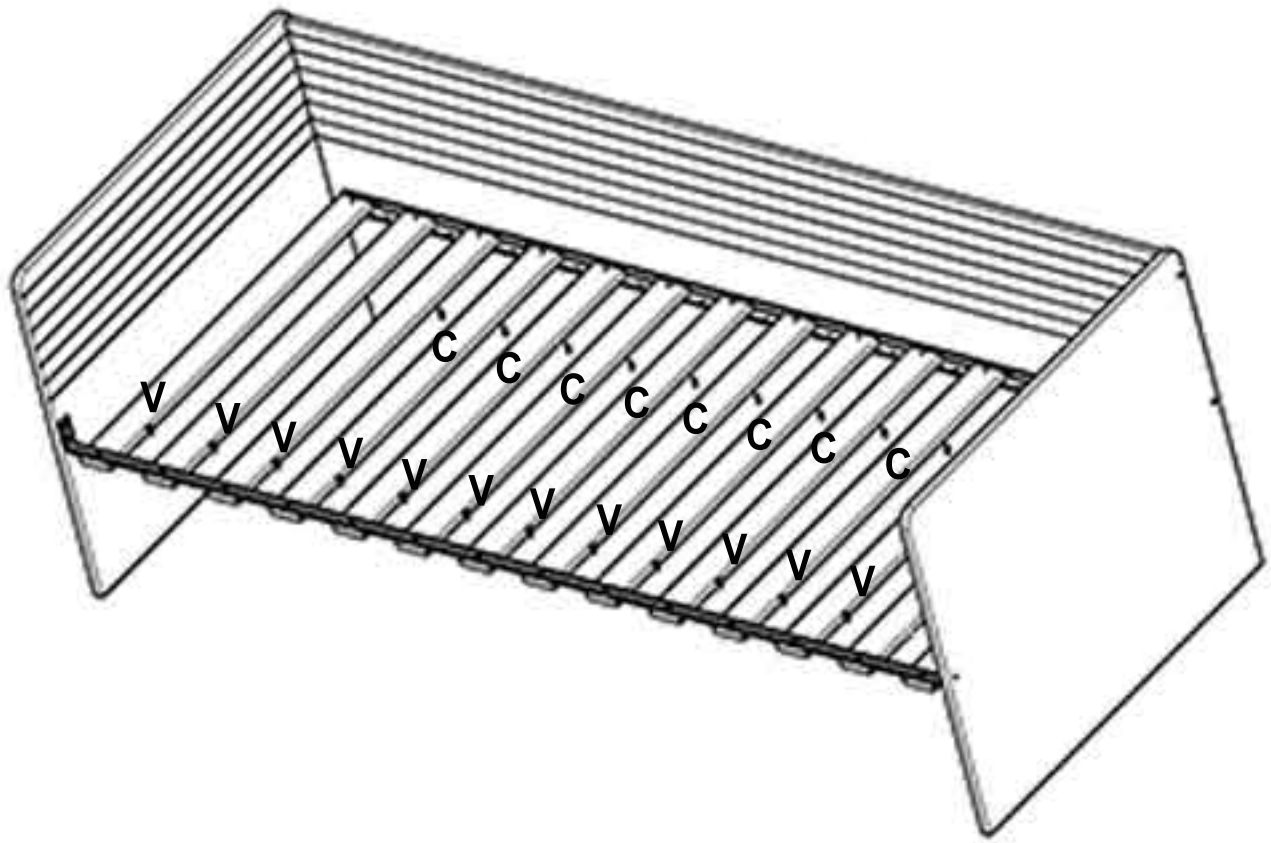
V
M 6x15
12X

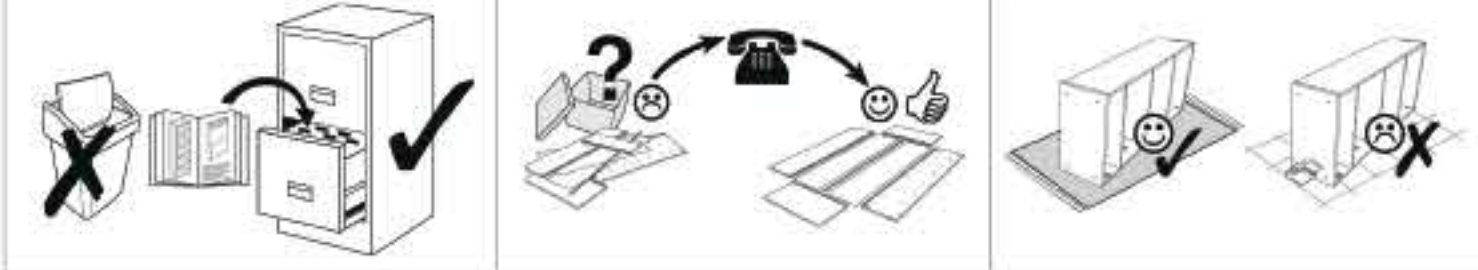


C
Ø 5x20 mm
12X

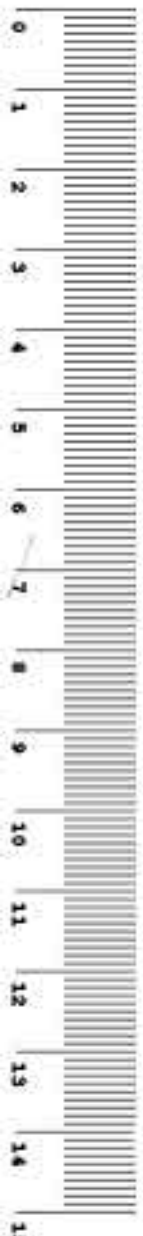
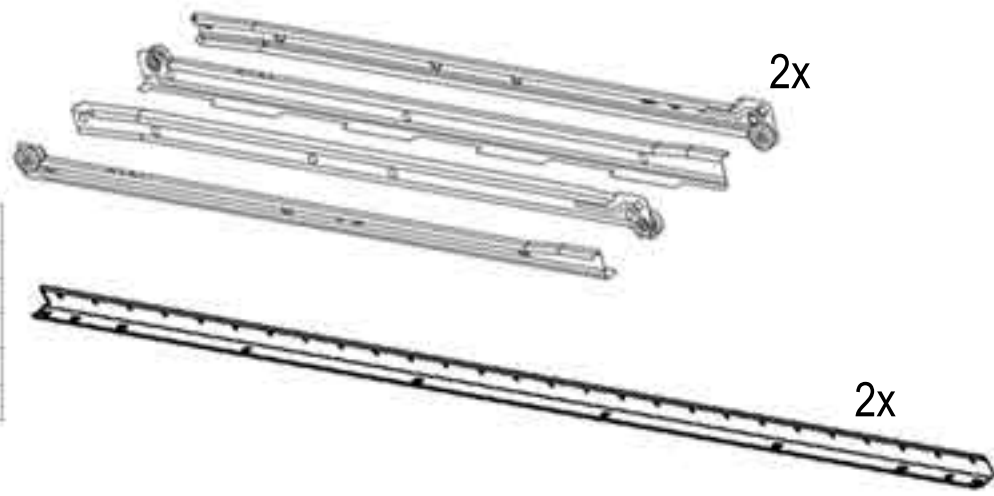
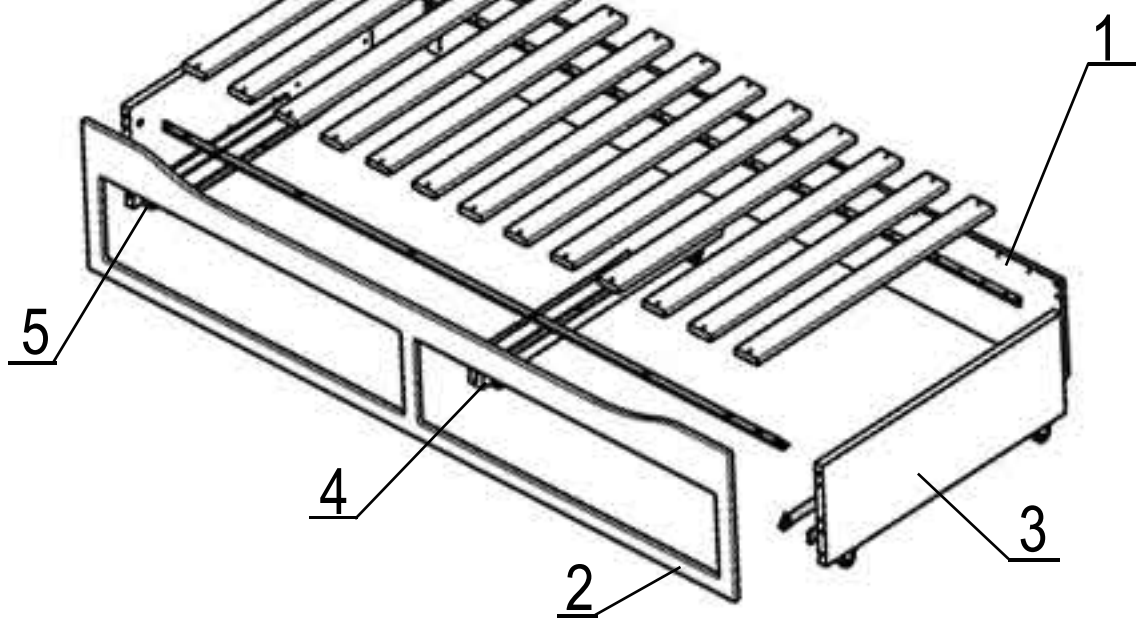


Pack 1.





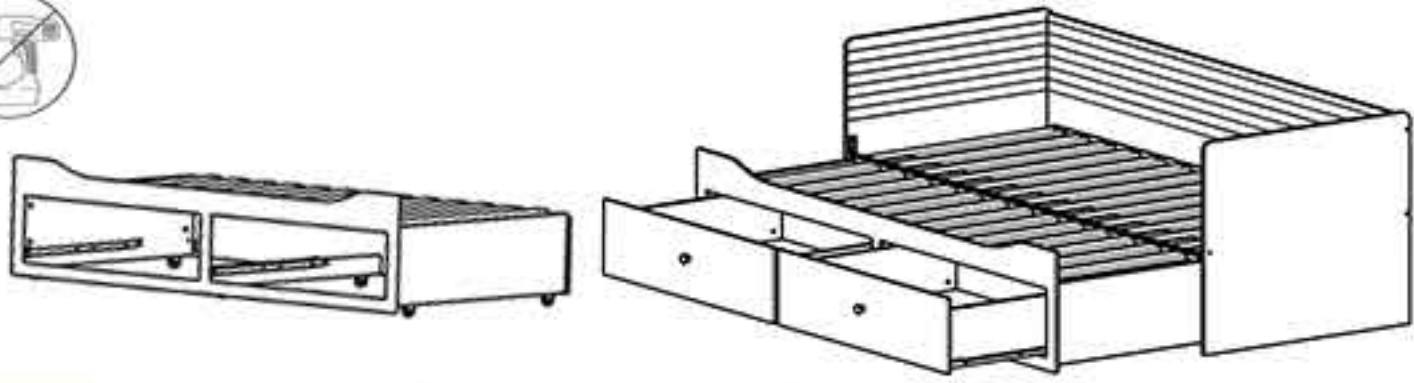
2



No.	L	B	T	Pcs.
1	1994	269	15	1
2	2024	415	16	1
3	790	278	22	2
4	790	64	42	1
5	793	69	18	13

R Ø8x30mm 16x	W M 6x40 12x	V M 6x15 22x	X M 6x10 6x	Y M6x8x45mm 10x
C Ø5x16mm 20x	Z 6x	AF M 6x15x12 10x	 Pack 2.	



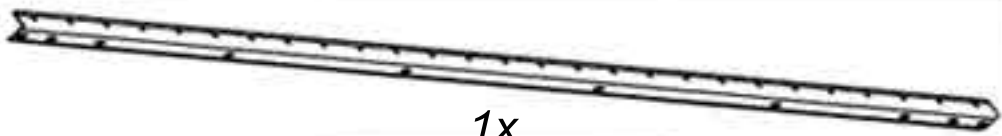


1

V
M 6x15
8x



1x



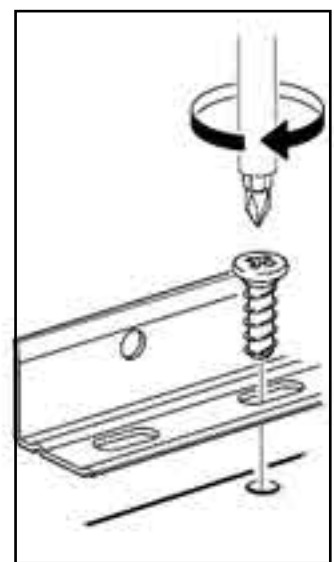
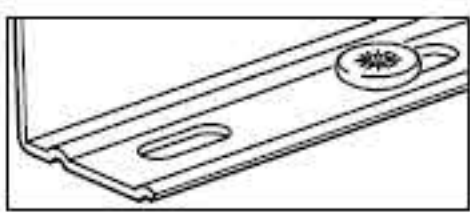
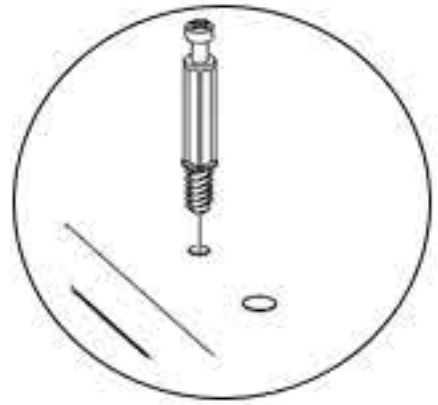
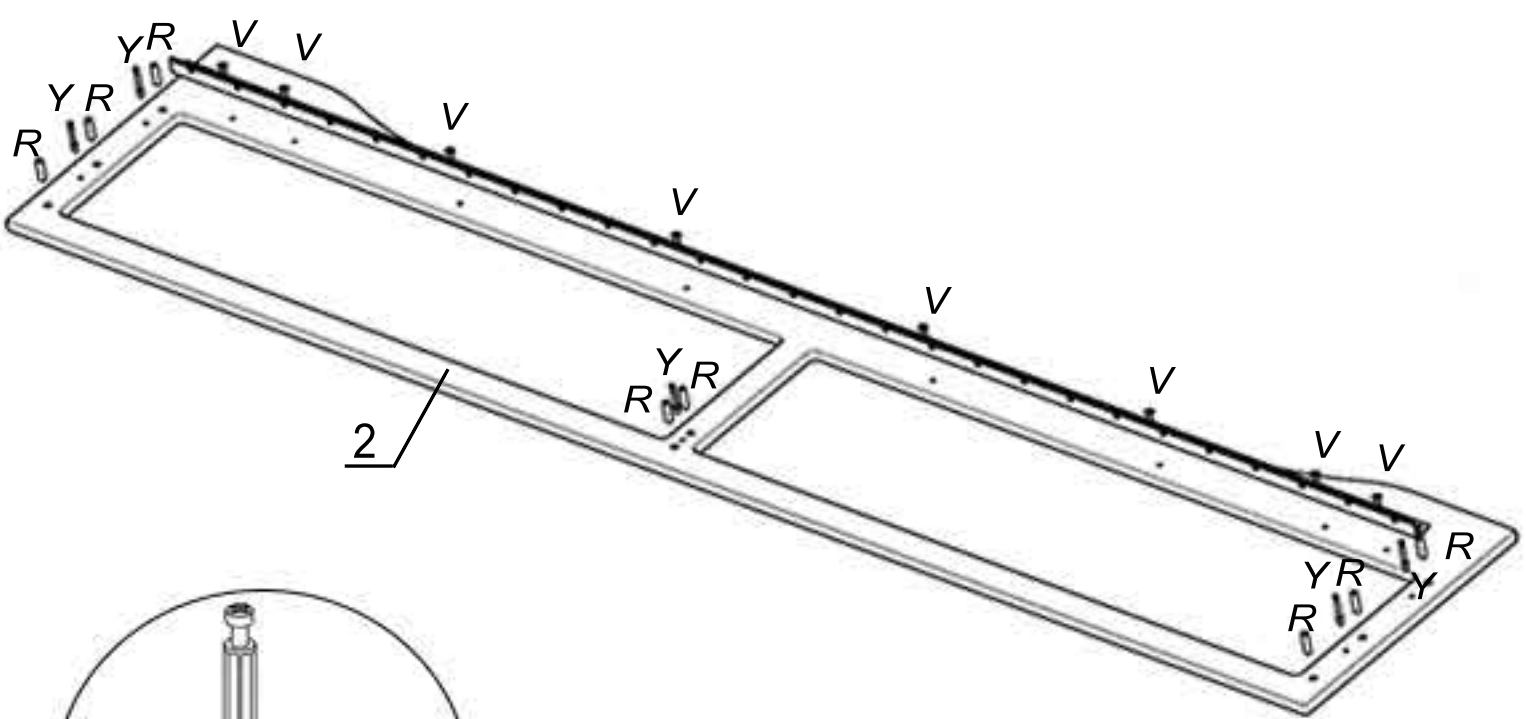
R
Φ 8x30mm
8x

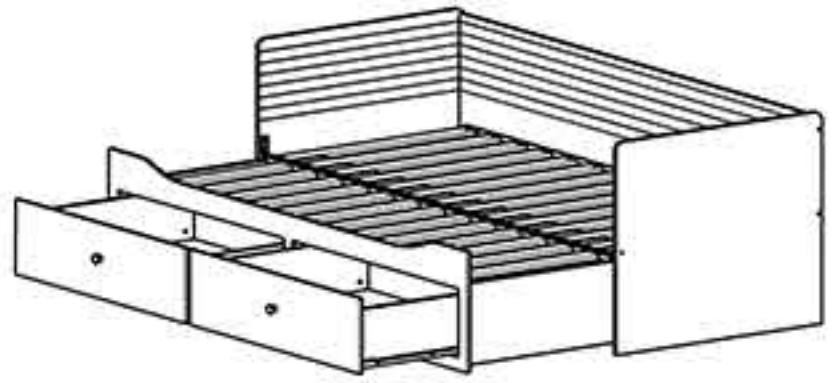
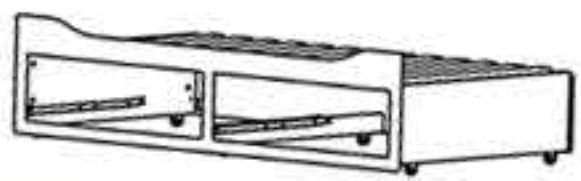


Y
M6x8x45mm
5x



Pack 2.



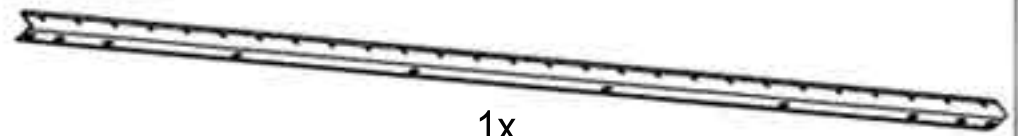


2

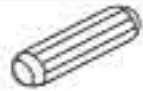
V
 M 6x15
 8x



1x



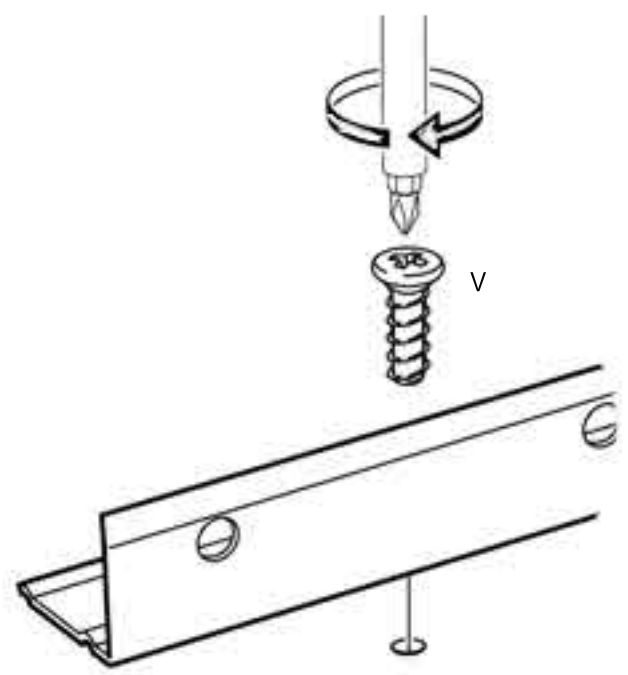
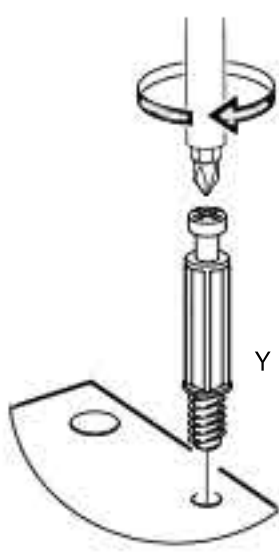
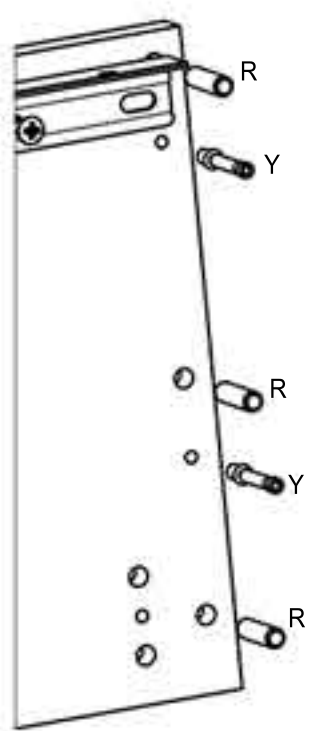
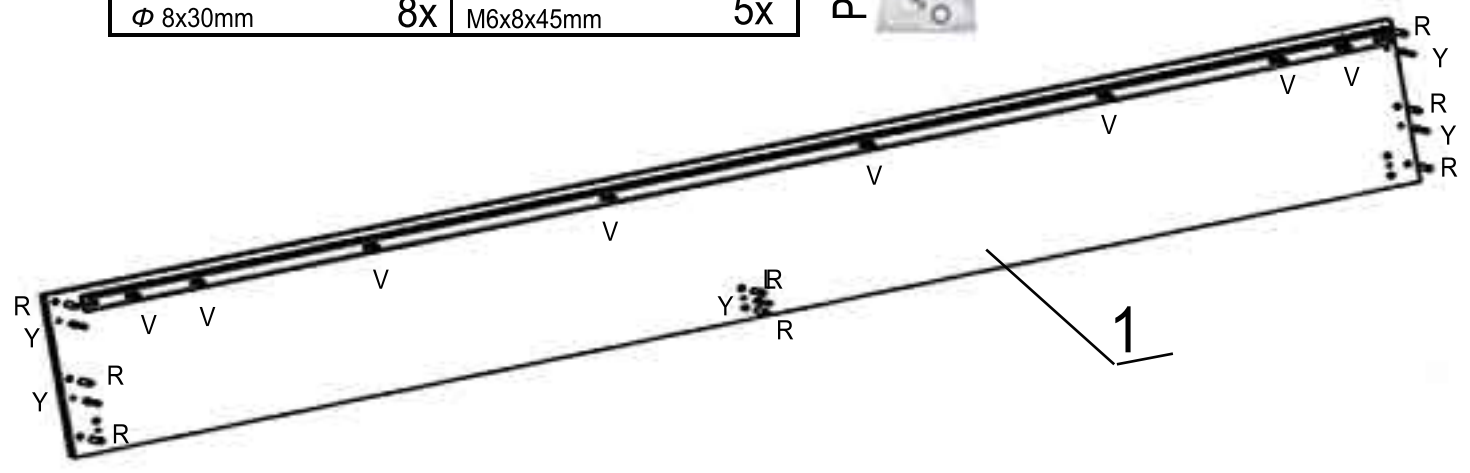
R
 Ø 8x30mm
 8x

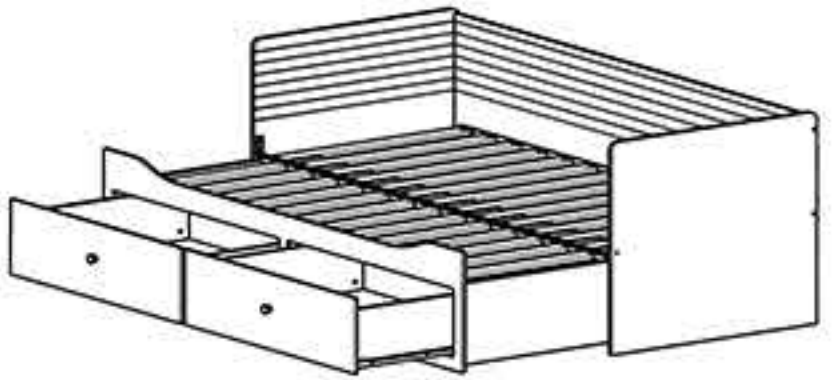
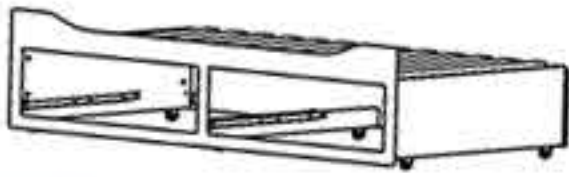


Y
 M6x8x45mm
 5x



Pack 2.





3

X



M 6x10

6x

Z



6x

W



M 6x40

12x

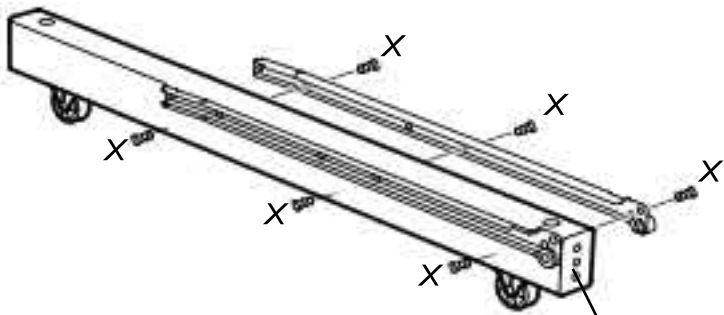
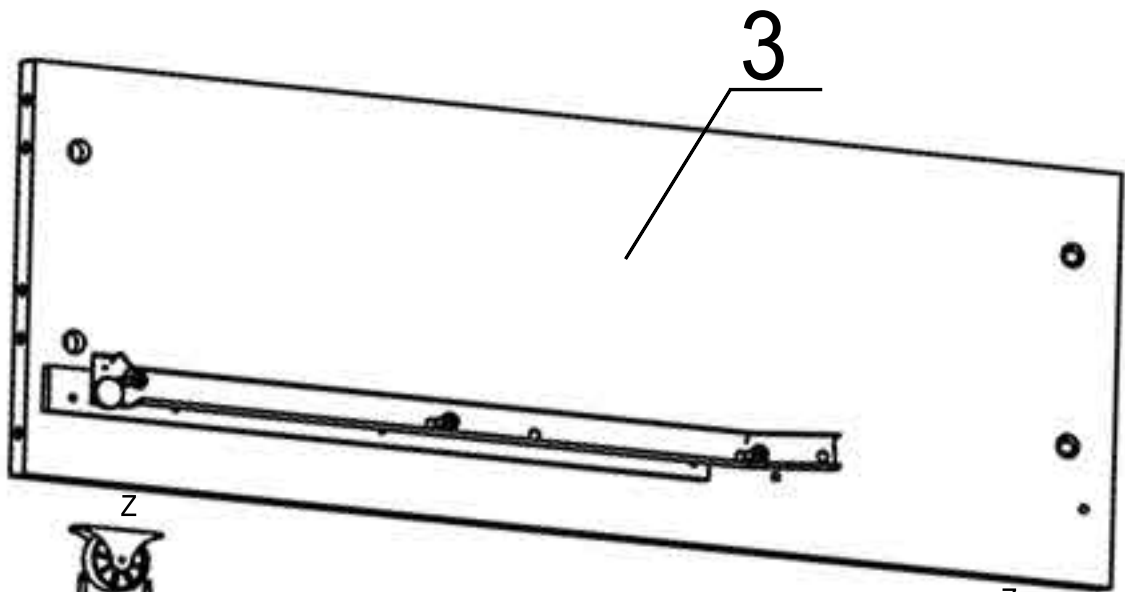
R



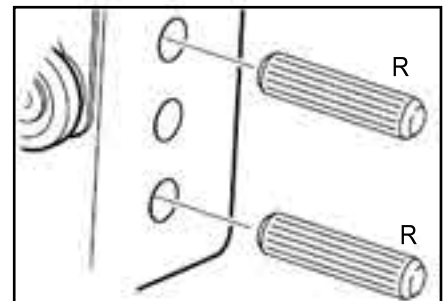
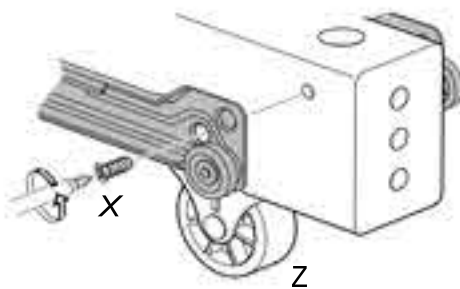
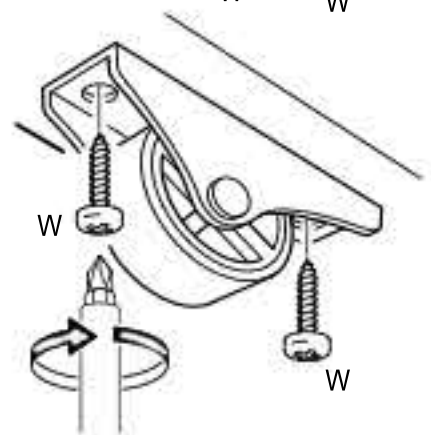
Ø 30x8mm

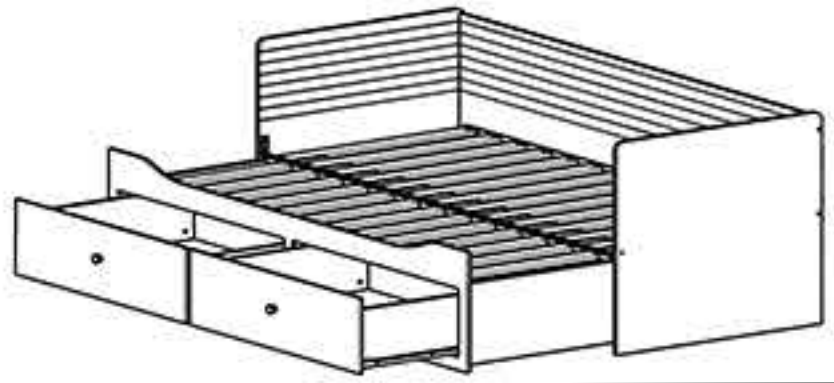
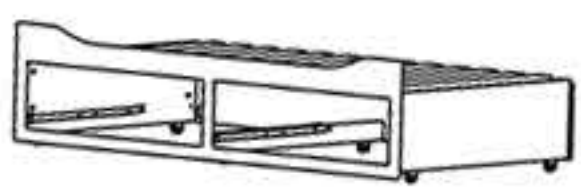
4x

Pack 2.



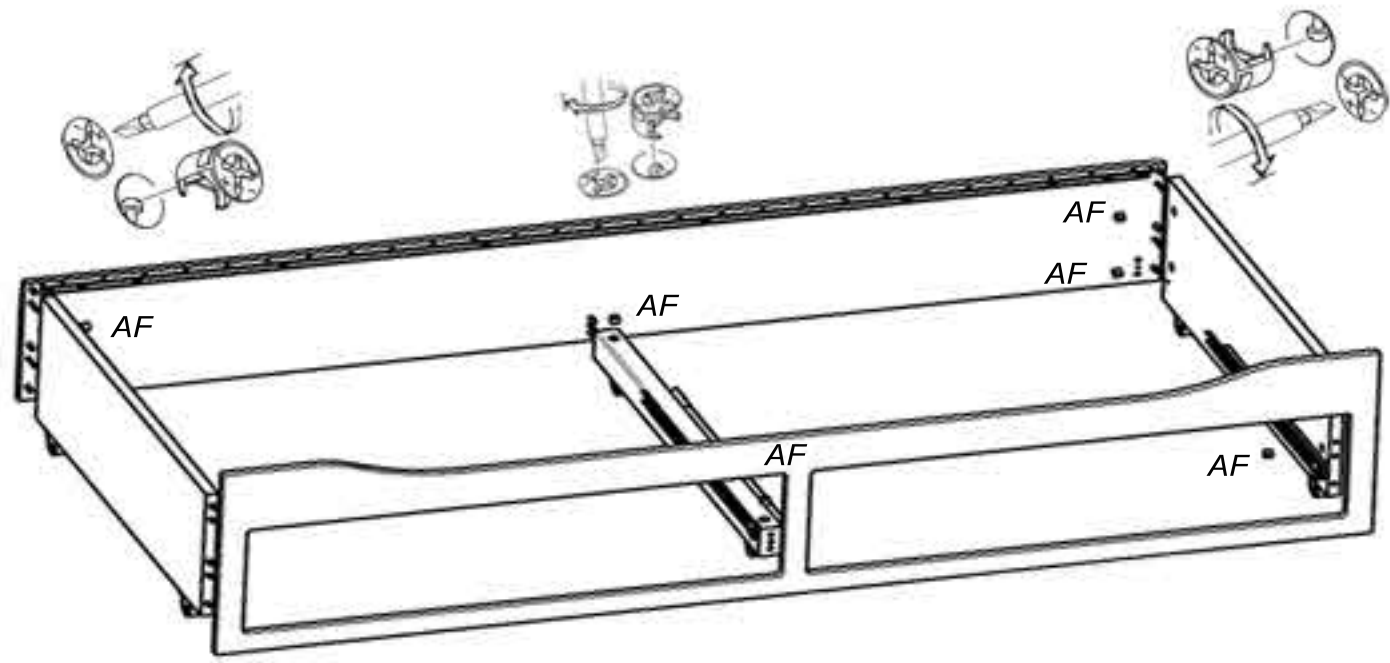
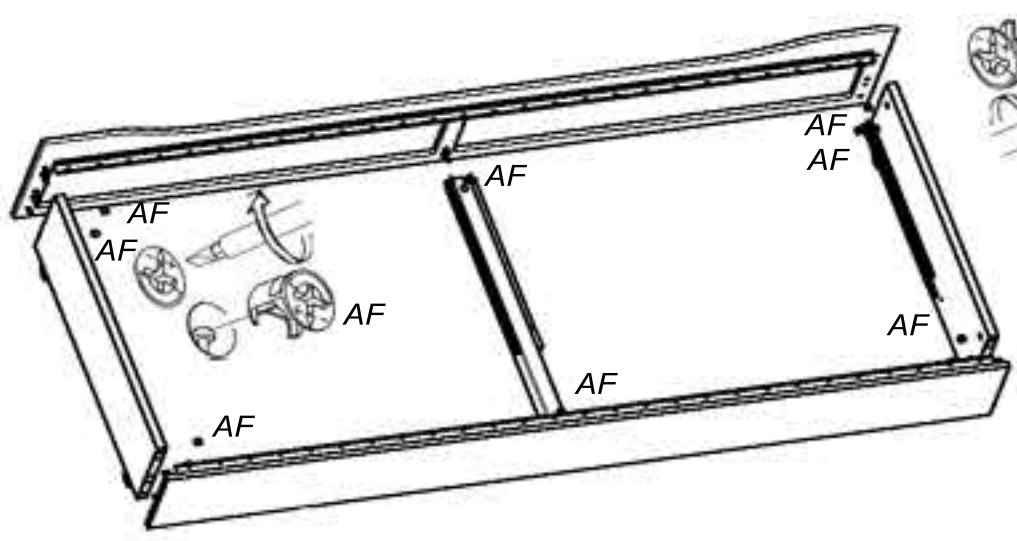
5

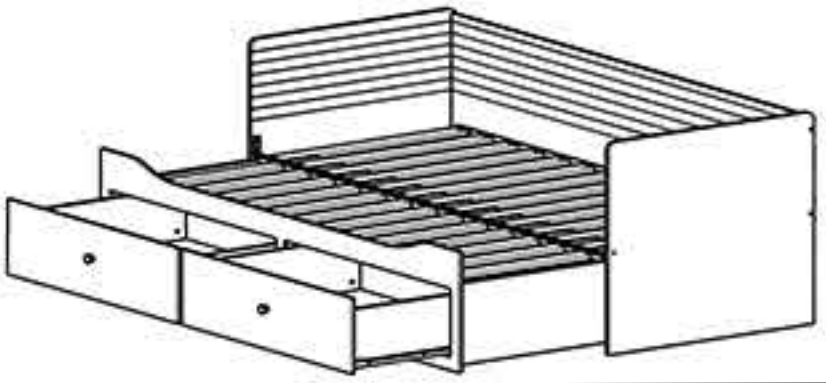
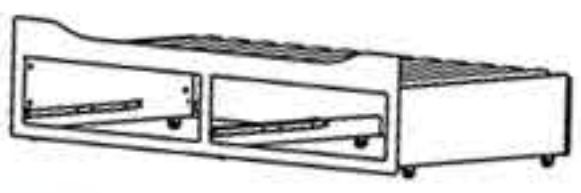




4

AF 10x





5

C



Φ 5x20

20x

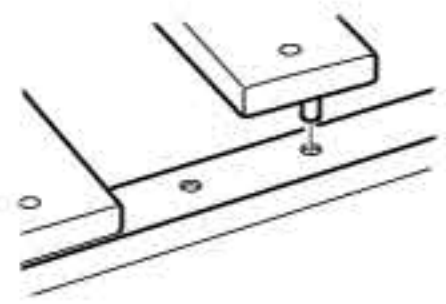
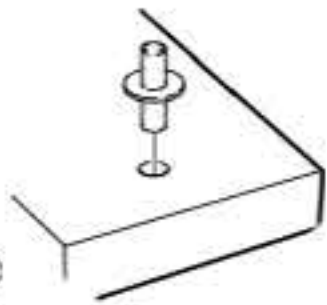
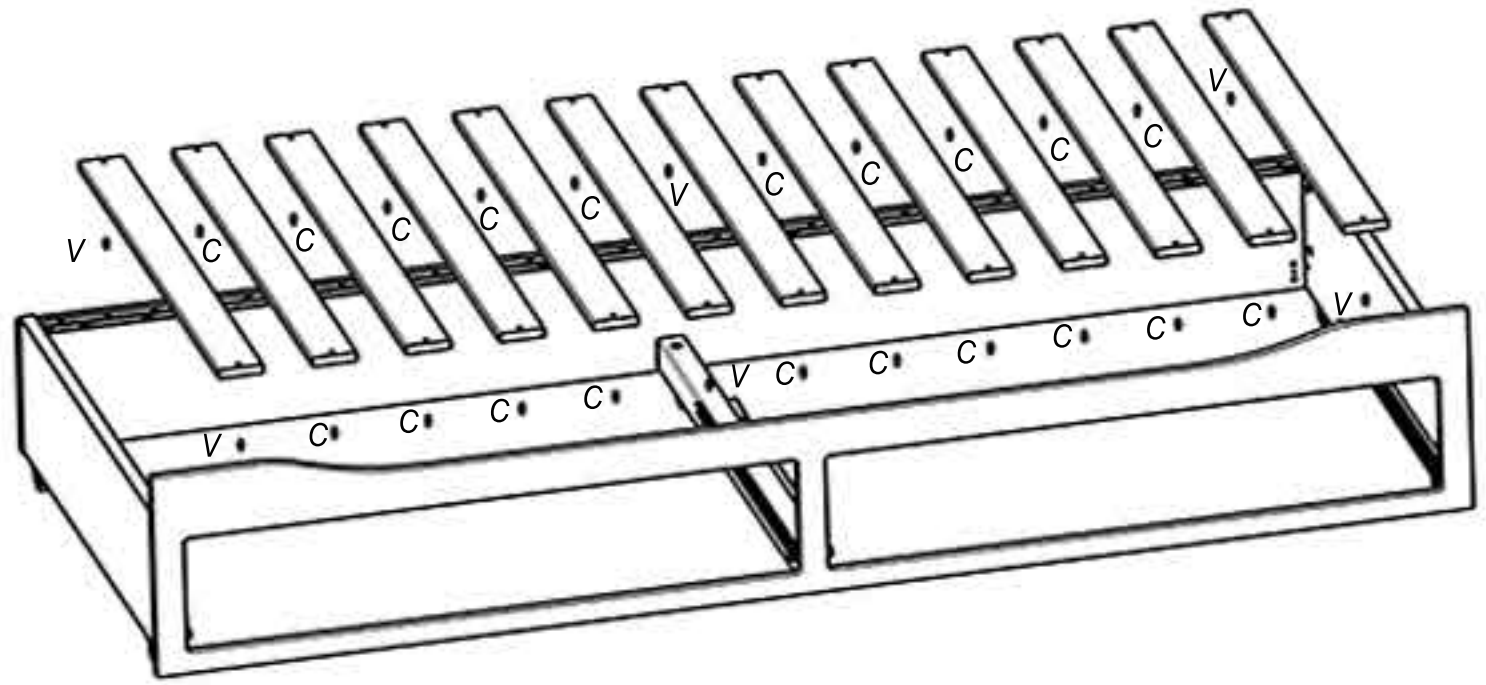
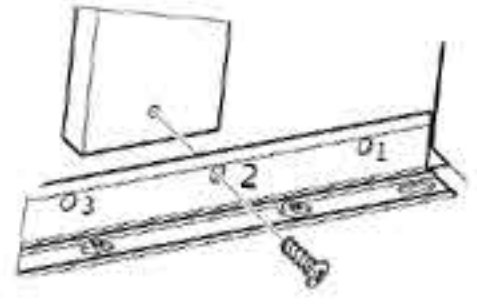
V

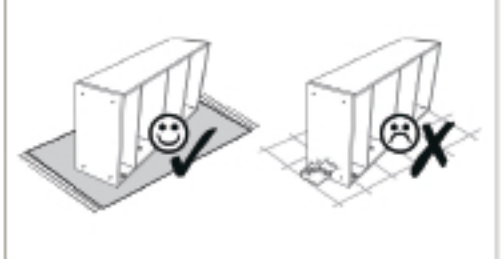
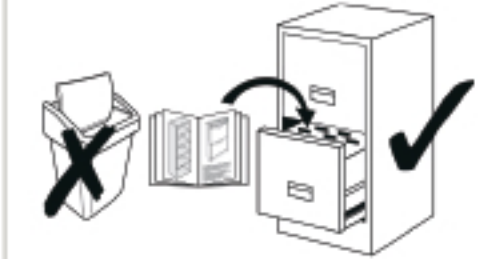


M 6x15

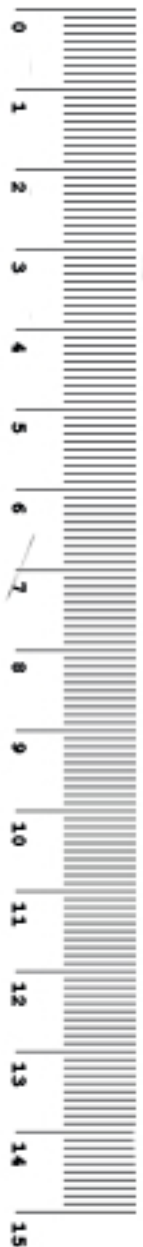
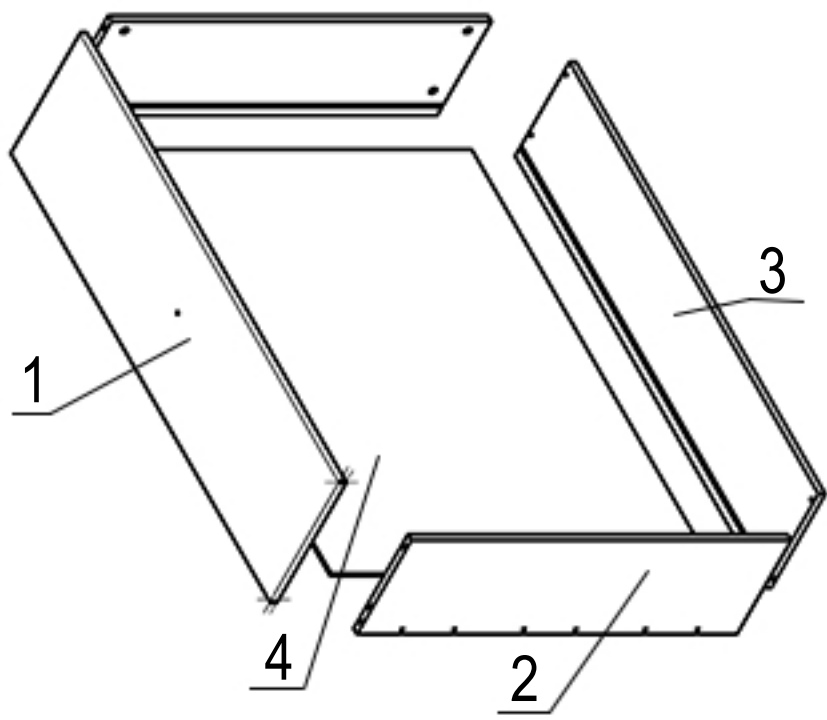
6x

Pack 2.

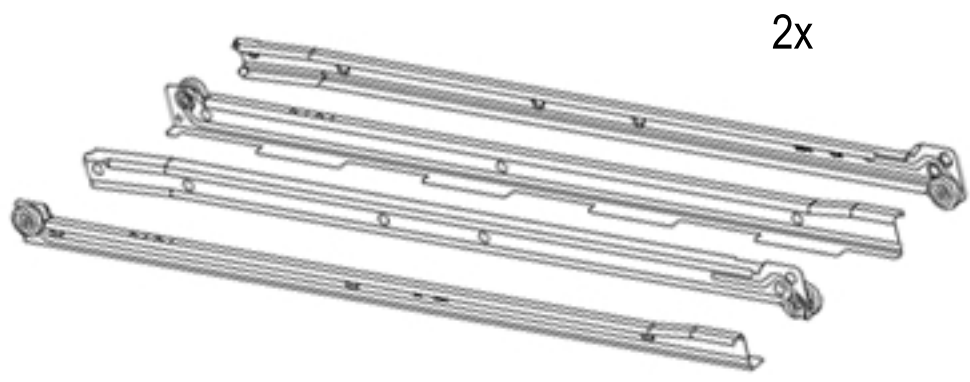









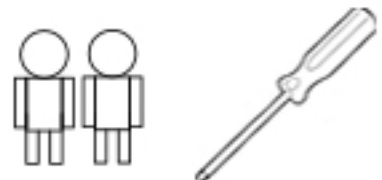
**3
x2**

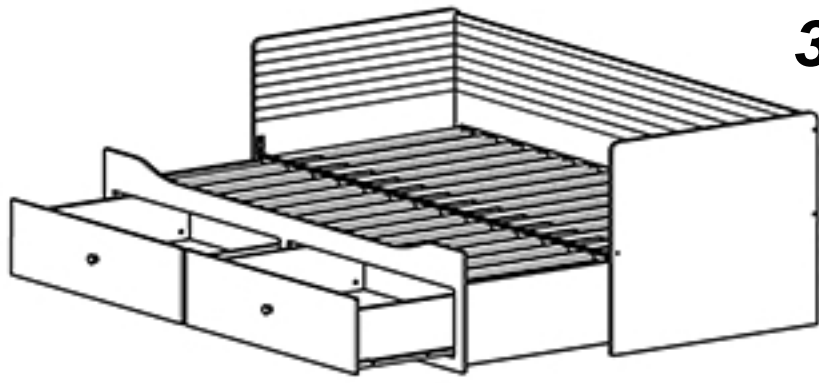
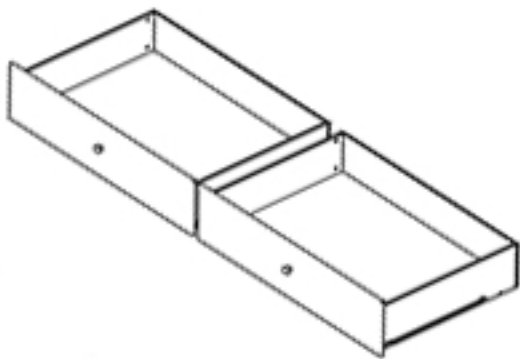


No.	L	B	T	Pcs.
1	960	260	14	2
2	700	200	12	4
3	918	200	12	2
4	902	710	5	2



AA  Φ6x10x10mm 16X	AB  2x	AC  M6x10 12x	AD  M6x10 2x	Y  M6x8x45mm 16x
--	--	---	--	--





1

Y
M6x8x45mm
4x



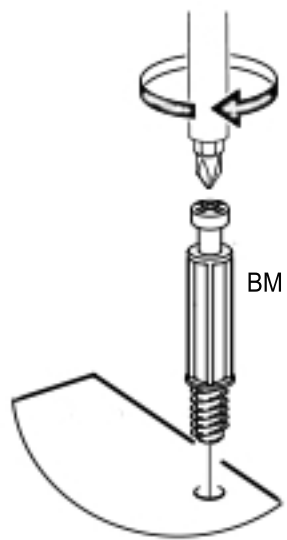
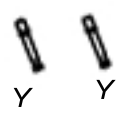
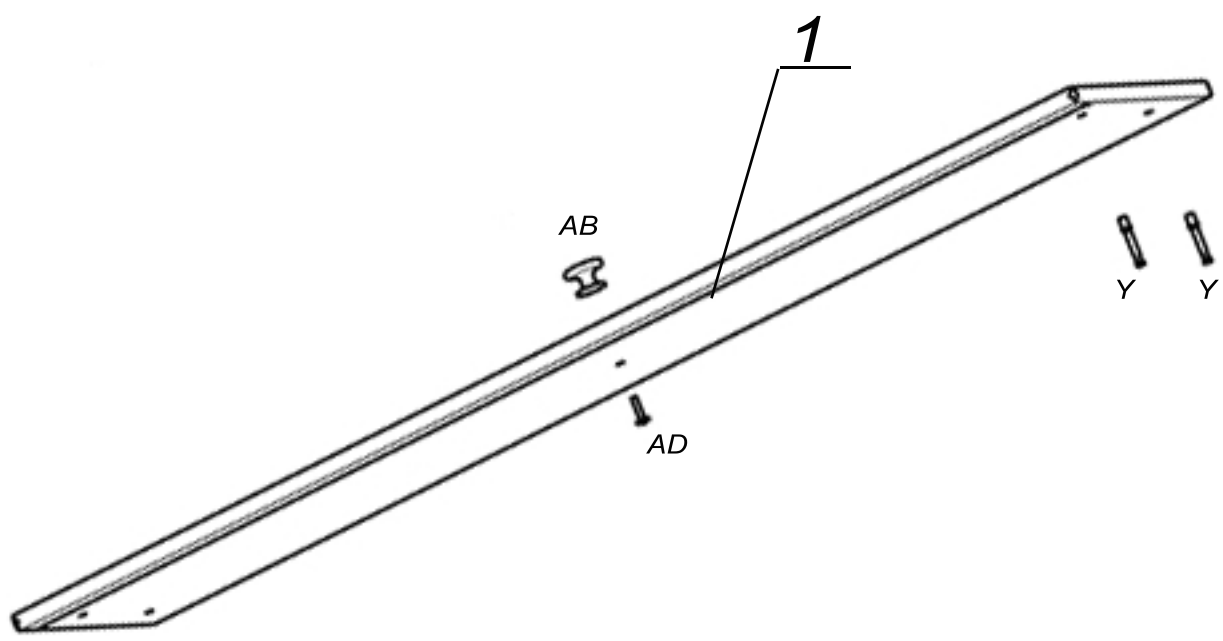
AD
M 4x20
2x

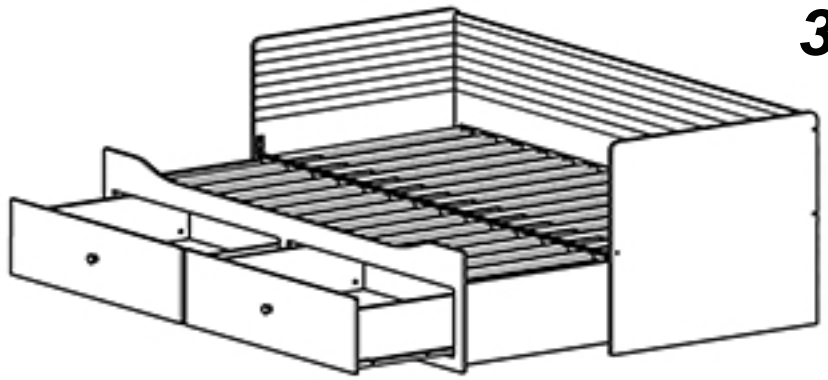
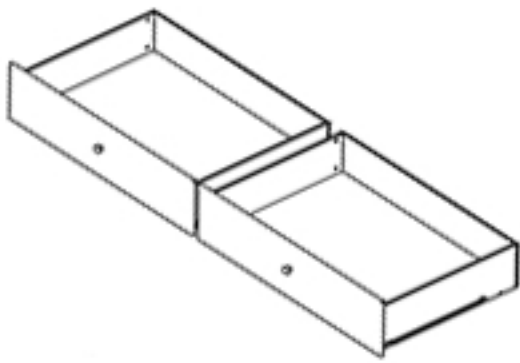


AB
1x



Pack 3.





3



2

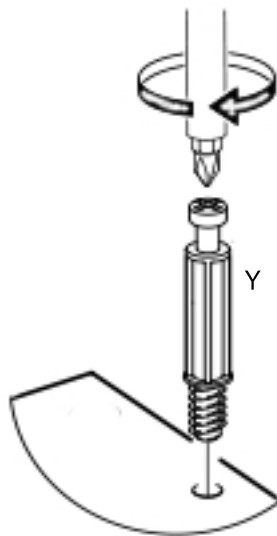
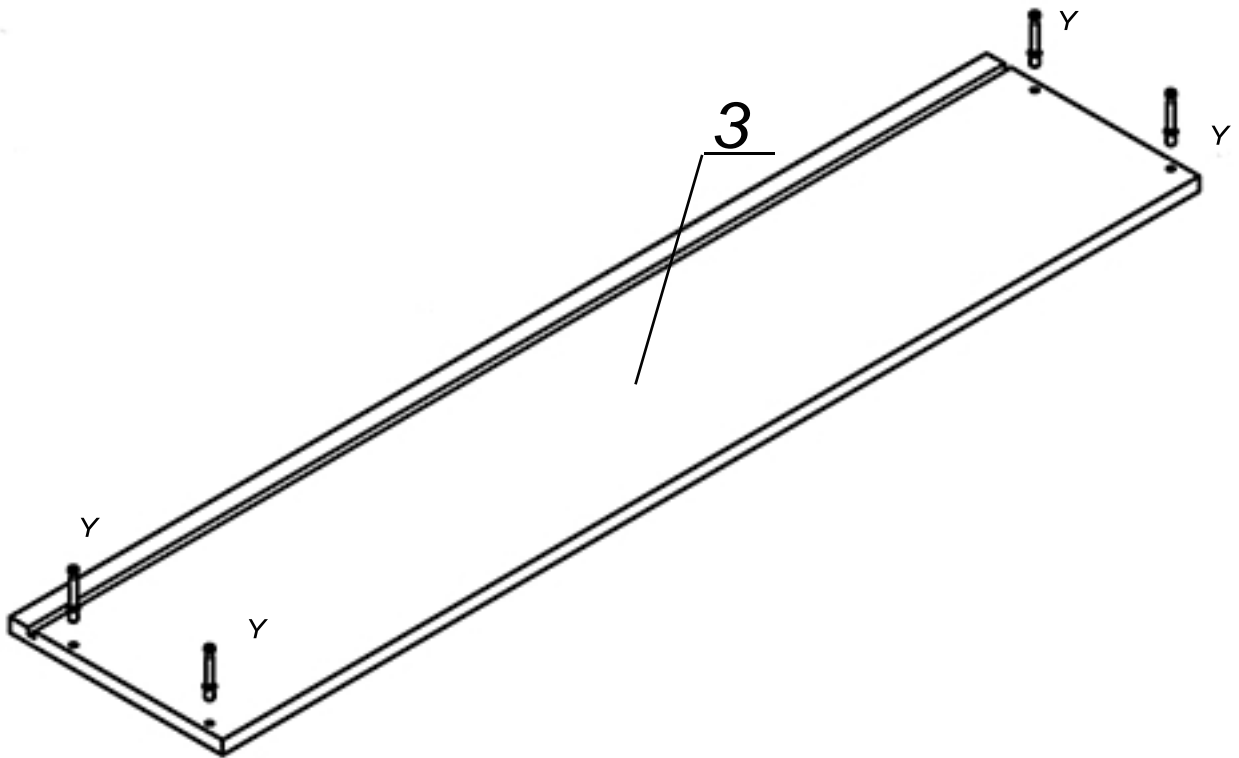
Y

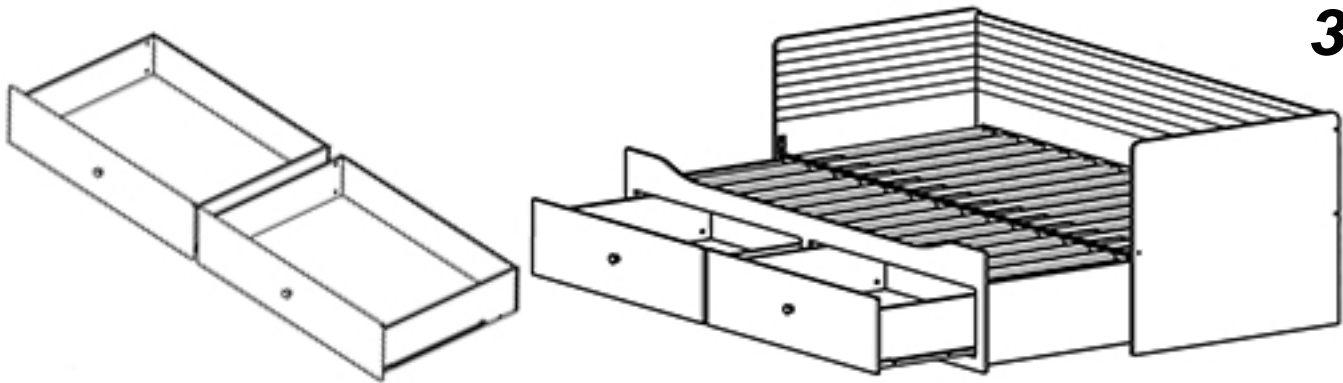


M6x8x45mm

4x

Pack 3.





3

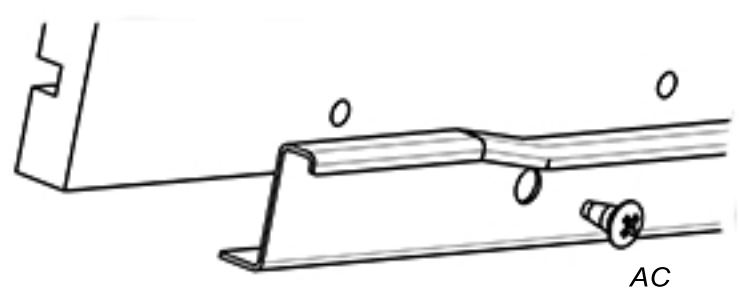
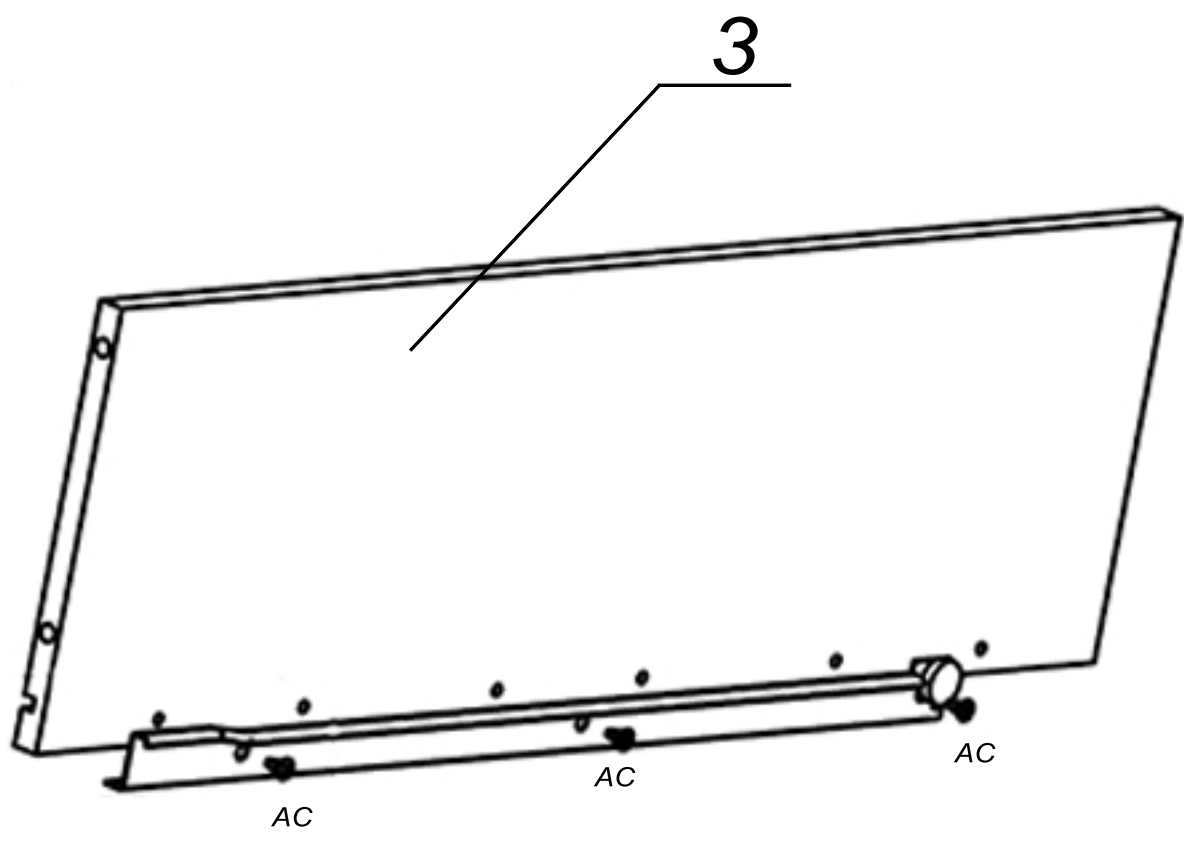
AC

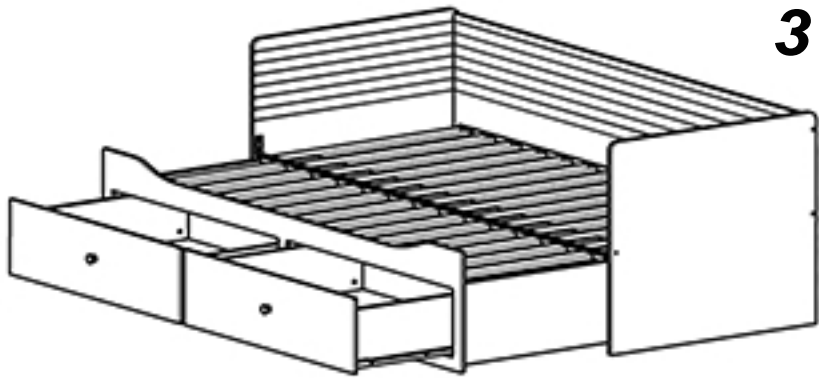
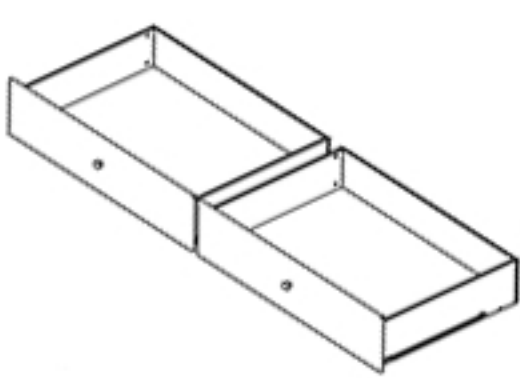
M6x10



6x

Pack 3.





3



4

AA



M6x10x10

8x

